

CD RECEIVER

# KDC-218A

MANUFACTURED BY VISTEON

# KENWOOD

## SERVICE MANUAL

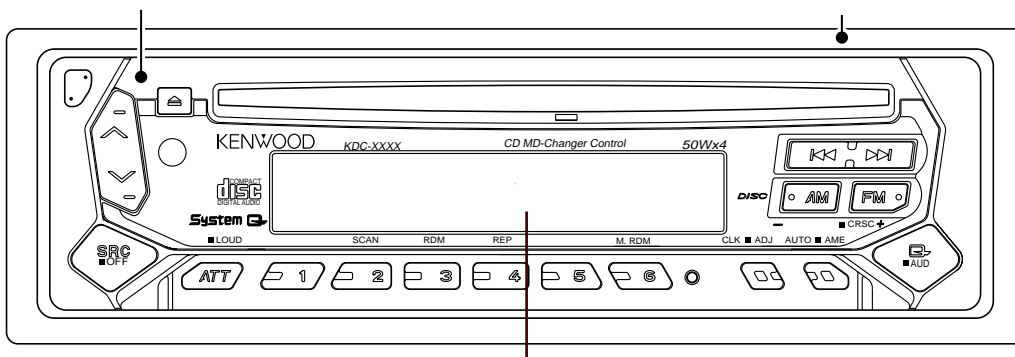
© 2001-12 PRINTED IN JAPAN

The CD mechanism information is not in this service manual.  
Please, refer to service manual X92-4030-0x (B51-7867-00).

CD mechanism extension cord : W05-0618-00

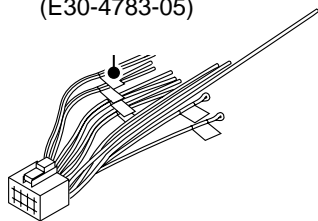
Panel  
(A64-2770-01): KDC-218A  
(A64-2771-01): KDC-218S

Escutcheon  
(B07-3054-02): KDC-218A  
(B07-3070-02): KDC-218S

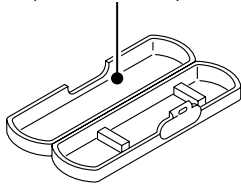


FRONT GLASS  
(B10-4281-11): KDC218A  
(B10-4282-11): KDC-218S

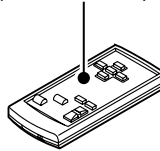
DC cord  
(E30-4783-05)



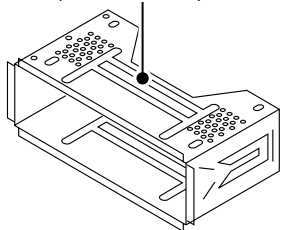
Plastic cabinet assy  
(A02-1486-13)



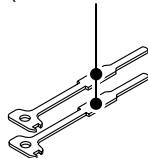
Remote controller assy  
(A70-2024-05)



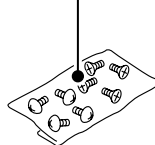
Mounting hardware assy  
(J21-9641-13)



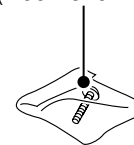
Lever  
(D10-4589-04)x2

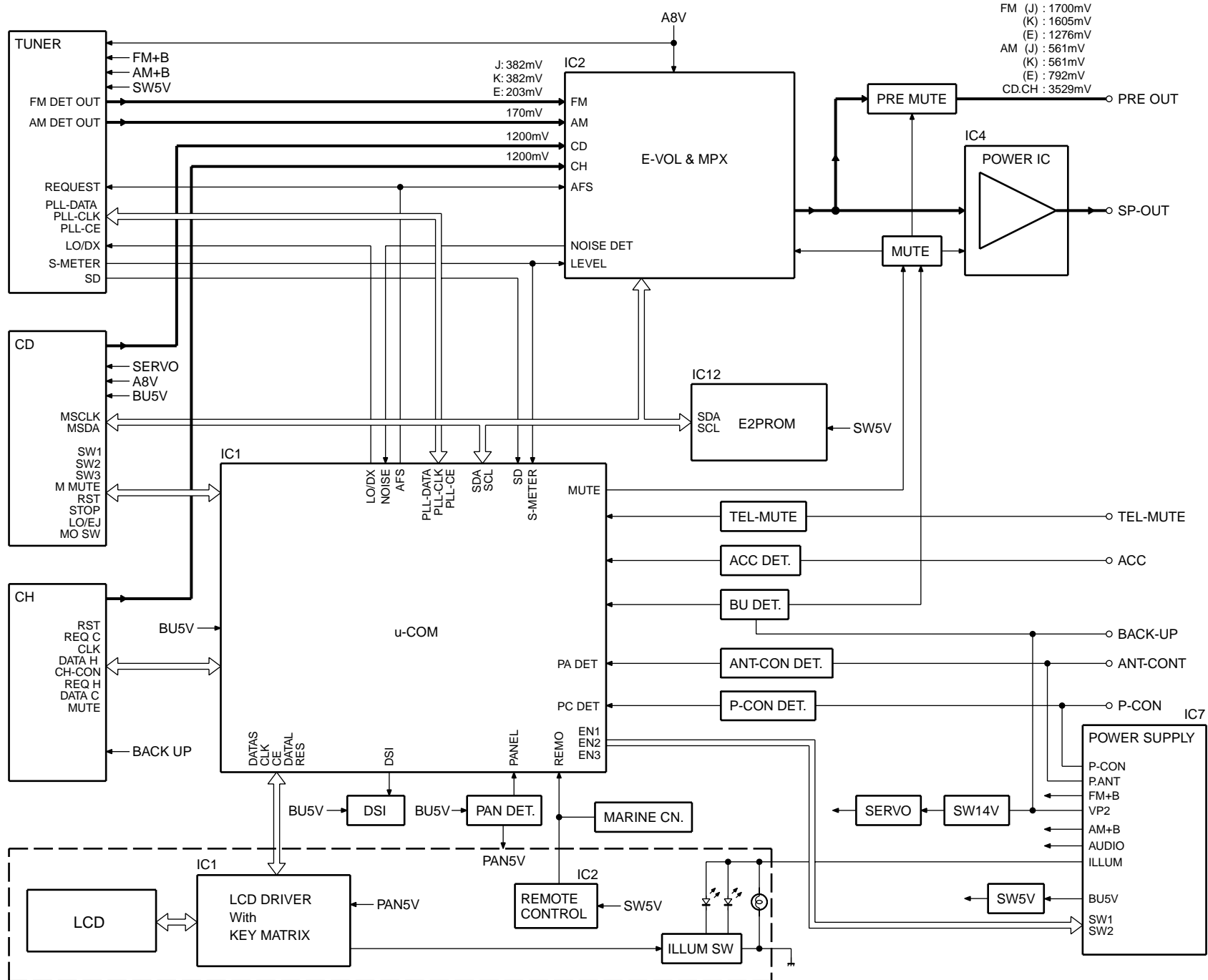


Screw set  
(N99-1719-05)



Screw set \*  
(N99-1610-15)





BLOCK DIAGRAM

- FM (J) : 1700mV
- (K) : 1605mV
- (E) : 1276mV
- AM (J) : 561mV
- (K) : 561mV
- (E) : 792mV
- CD,CH : 3529mV

# MICROCOMPUTER'S TERMINAL DESCRIPTION

## SYSTEM MICROCOMPUTER $\mu$ PD780058GC-XXX (IC1 : X25)

Pin No.	Pin Name	I/O	Purpose	Processing in STBY Mode
1	PANEL	I	Panel detection	Hi-Z
2	8EJE SW *1	I	8 cm disk eject end detection switch	L, L when the 8 cm CD compatibility is not provided.
3	NC	O	Not used	L
4	AVss	-	GND potential (for A/D and D/A)	-
5	L-RST	O	LCD driver reset	H, L when the panel is detached or with 7-segment output.
6	L-CE	O	LCD driver chip enable	L, L is output when the panel is detached.
7	AVREF1	I	5V power supply (D/A converter reference voltage)	-
8	NC	I	Not used	Hi-Z
9	PLL-DATA	I/O	F/E (IC3) communication data	L
10	PLL-CLK	O	F/R (IC3) communication clock	L
11	L-DATAL	I	LCD driver communication data (LCD)	Hi-Z
12	L-DATAS	O	LCD driver communication data (SYSTEM)	L, L is output when the panel is detached.
13	L-CLK	O	LCD driver communication clock	H, L is output when the panel is detached.
14	R-DATA	I	RDS DATA	Hi-Z, L when RDS is not available.
15	R-QUAL	I	RDS QUAL	Hi-Z, L when RDS is not available.
16	CH-DATAC	I	5-wire communication data (CH)	Hi-Z, L when CH is not available.
17	CH-DATAH	O	5-wire communication data (HEAD)	L, L when CH is not available.
18	CH-CLK	I/O	5-wire communication clock	Hi-Z, L when CH is not available.
19	CH-REQH	O	5-wire CH request (HEAD)	H, L when CH is not available.
20	PLL-CE	O	F/E chip enable	L
21	AFS	O	Noise detection time constant switching	L
22	LO/DX	O	Local seek switching	L
23~26	NC	O	Not used	L
27	SD	I	Station detection	Hi-Z
28	CH-CONT	O	5-wire communication CH ON output	L, L when CH is not available.
29	TYPE REF	O	Destination type and servicing setting 5V output	L
30	TYPE2	I	Destination type setting	Hi-Z
31	TYPE1	I	Destination type setting	Hi-Z
32	TYPE0	I	Destination type setting	Hi-Z
33	Vss1	-	GND potential (for other parts than ports and analog circuitry)	-
34	IC2TYPE1	I	Servicing pin (SEL1), normally "L"	Hi-Z
35	IC2TYPE0	I	Servicing pin (SEL0), normally "L"	Hi-Z
36	DATA	I/O	IC2, CD mechanism and F/E communication data	L
37	CLK	O	IC2, CD mechanism and F/E communication clock	L
38	MUTE	O	Muting control output	L, 15 sec. after power OFF.
39	P-MUTE	O	PWR IC muting output	H, 15 sec. after power OFF.
40	SVR	O	SVR control output	L
41	P-STBY	O	PWR IC standby output	L
42	SW5V	O	SW5 control output	"H" in 10 sec. after power OFF.
43	B.U-DET	I	B.U. detection	Hi-Z
44	ACC-DET	I	ACC detection	Hi-Z
45,46	NC	O	Not used	L
47~49	PS1-0~PS1-2	O	Power supply IC AUD/P.CON/P.ANT SW	L
50	BEEP	O	Buzzer output	L
51,52	PS2-0,PS2-1	O	Power supply IC ILL/AM/FM SW	L
53	DSI	O	DSI control output	L, H/L when panel is detached. FIX output is L.

# MICROCOMPUTER'S TERMINAL DESCRIPTION / ADJUSTMENT

Pin No.	Pin Name	I/O	Purpose	Processing in STBY Mode
54	LOE/LIM SW	I	CD mechanism Down & Limit detection	Hi-Z
55	MOSW	O	CD mechanism motor switching	L
56	LO/EJ	I/O	Lo/Ej switching	Hi-Z
57	M-STOP	O	Mechanism COM stop output	L
58	M-RST	O	Mechanism COM reset output	H
59	M-MUTE	I	Mechanism COM mute input	Hi-Z
60	RESET	I	System reset input	Hi-Z
61	REMO	I	Remote control input	Hi-Z
62	R-CLK	I	RDS CLOCK	Hi-Z, L when RDS is not available.
63	CH-REQC	I	5-wire CH request (CH)	Hi-Z, L when CH is not available.
64	LOS SW	I	Loading SW detection	Hi-Z
65	KEY-REQ	I	Key input detection	Hi-Z
66	12EJE SW	I	12 cm disc detection	Hi-Z
67	Vss0	-	GND potential (for ports)	-
68	VDD1	-	Positive power supply (for other parts than ports and analog circuitry)	-
69	X2	-	Main system clock oscillation	-
70	X1	I	Main system clock oscillation	-
71	IC	-	Flash uCOM write	-
72	XT2	-	Not used	-
73	XT1	-	Not used (Connected to 5V power supply)	-
74	VDD0	-	Positive power supply (for ports)	-
75	AVREF0	I	5V power supply (A/D converter reference voltage)	-
76	S-METER	I	S-meter input	Hi-Z
77	PHONE	I	Navigation muting 2.5V or more, Telephone muting 1V or less.	Hi-Z, L when TEL is not available.
78	NOISE	I	FM noise detection	Hi-Z, L when RDS is not available.
79	NC	O	Not used	L
80	AVCONT	O	A/D reference voltage control	L

## ADJUSTMENT

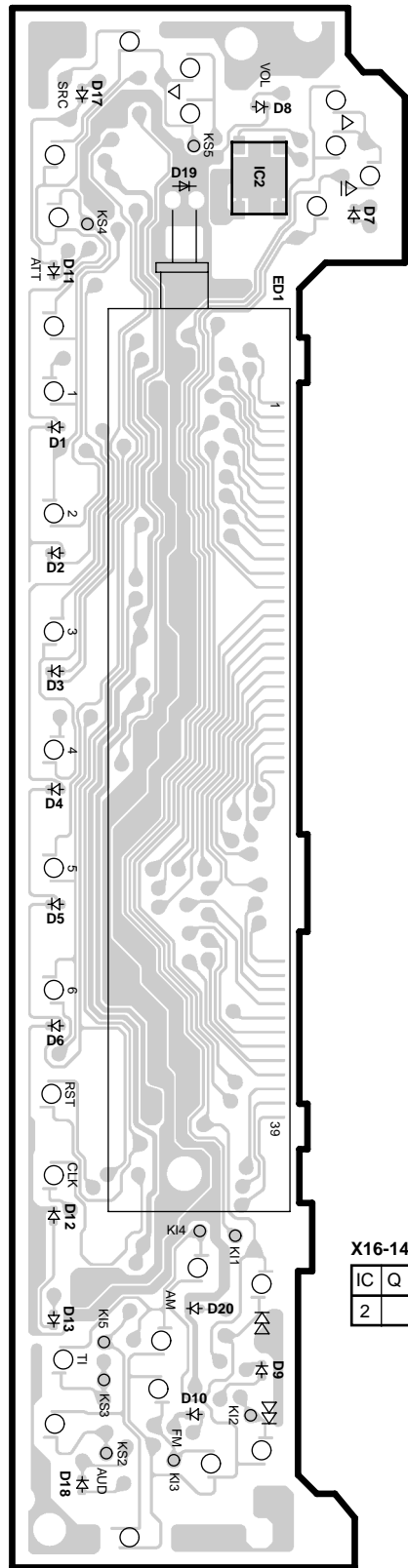
No.	ITEM	INPUT SETTINGS	TUNER (RECEIVER) SETTINGS	ALIGNMENT POINTS	ALIGN FOR
<b>FM SECTION</b>					
1	SD	98.1MHz 0 dev 35dB $\mu$ (ANT input)	TEST MODE : ON FM 98.1MHz	Preset "1" key, and preset "6" key	While holding preset "1" key, press and hold preset "6" key for a few seconds. "1111" is good. "0000" is not good.
<b>AM SECTION</b>					
(1)	SD	990kHz 0% mod 35dB $\mu$ (ANT input)	TEST MODE : ON AM 990kHz	Preset "1" key, and preset "6" key	While holding preset "1" key, press and hold preset "6" key for a few seconds. "1111" is good. "0000" is not good.

TEST MODE : ON While holding the FM key and preset "6" key, reset the unit.

TEST MODE : OFF Reset the unit.

# PC BOARD (COMPONENT SIDE VIEW) (FOIL SIDE VIEW)

X16-1460-xx/  
X16-1482-7x (J74-1285-12)



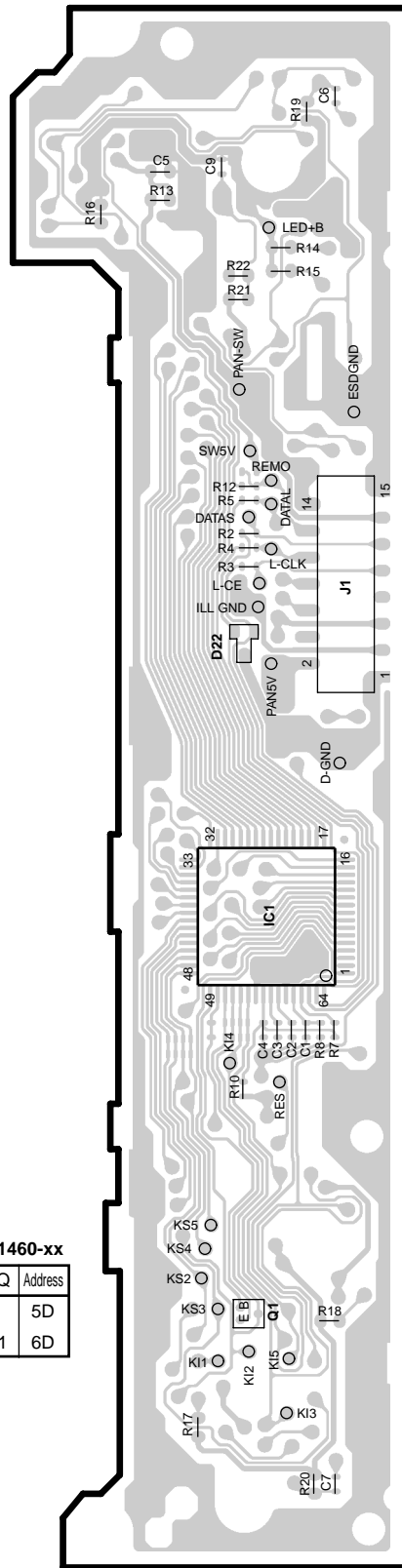
**X16-1460-xx**

IC	Q	Address
1	2	2B

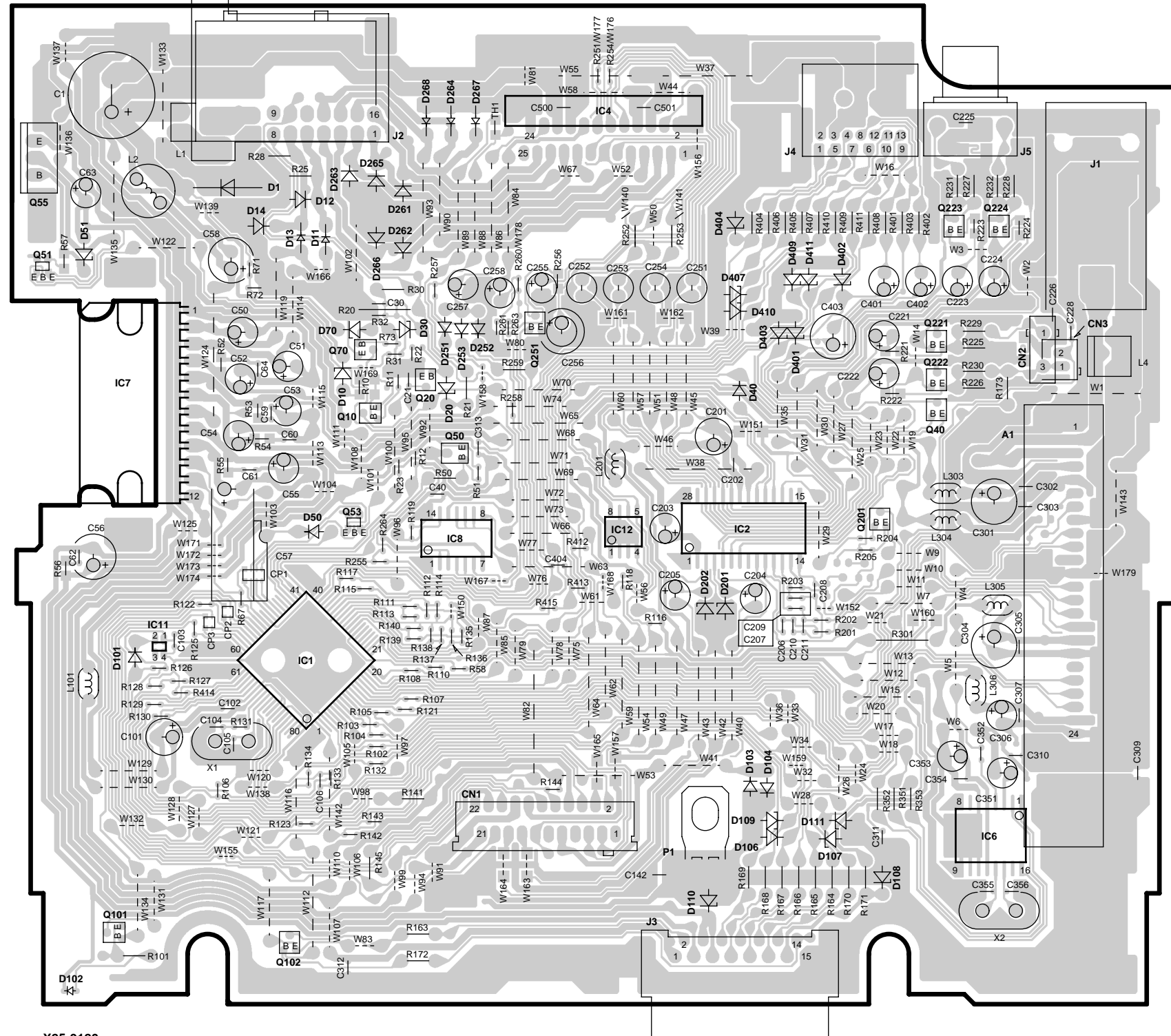
**X16-1460-xx**

IC	Q	Address
1	1	5D
1	1	6D

X16-1460-xx/  
X16-1482-7x (J74-1285-12)



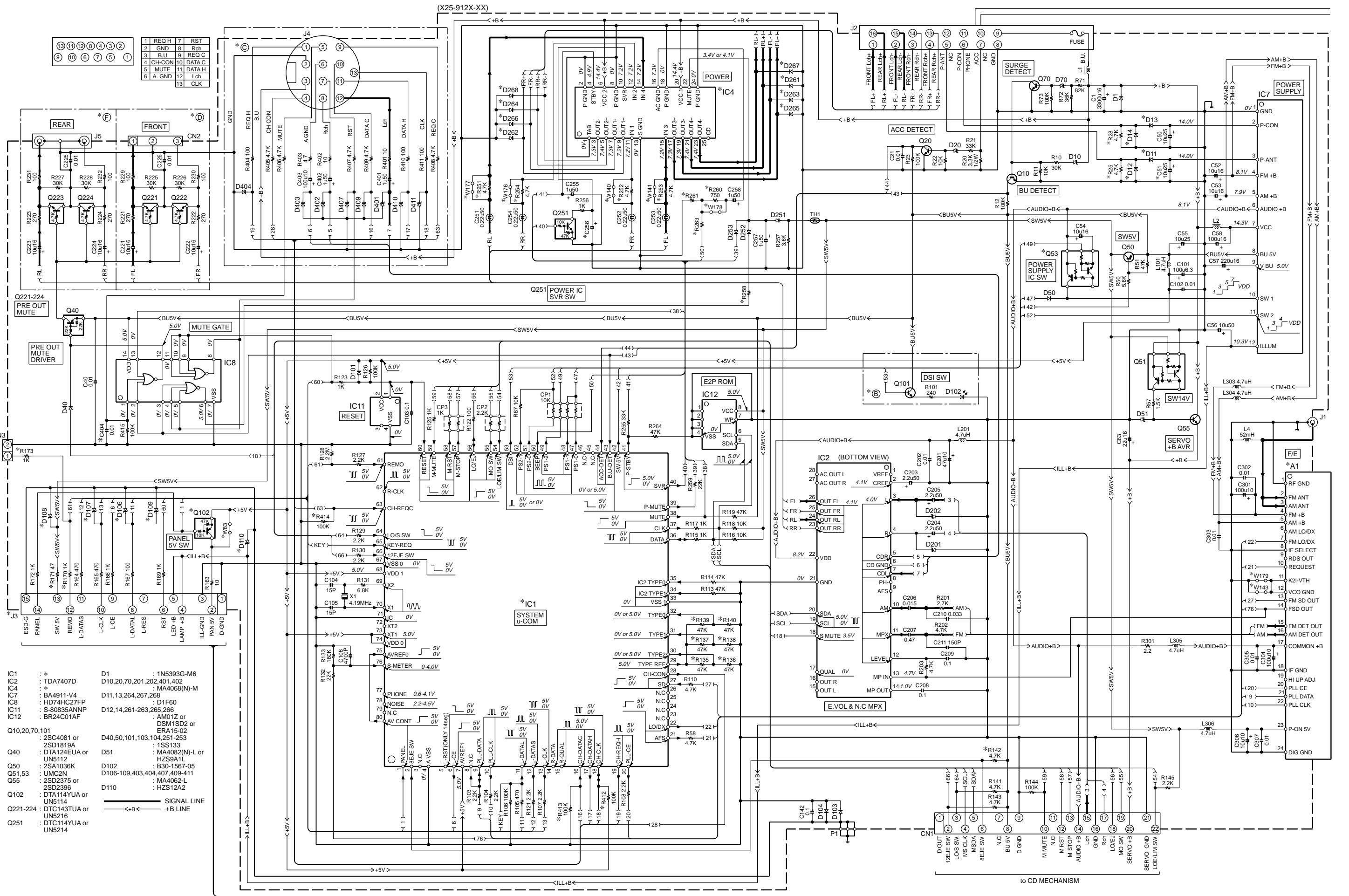
X25-9142-7x (J74-1368-12)  
X25-9120-xx/913x-xx (J74-1290-12)



**X25-9120-xx**

IC	Q	Address	IC	Q	Address	IC	Q	Address	IC	Q	Address
1	5F	11	5E	50	4G	101	6E	224	2I		
2	4H	12	4H	51	3E	102	6F	251	3G		
4	2H	10	3F	53	4F	221	3I				
7	3E	20	3G	55	2E	222	3I				
8	4G	40	3I	70	3F	223	2I				

Refer to the schematic diagram for the values of resistors and capacitors.

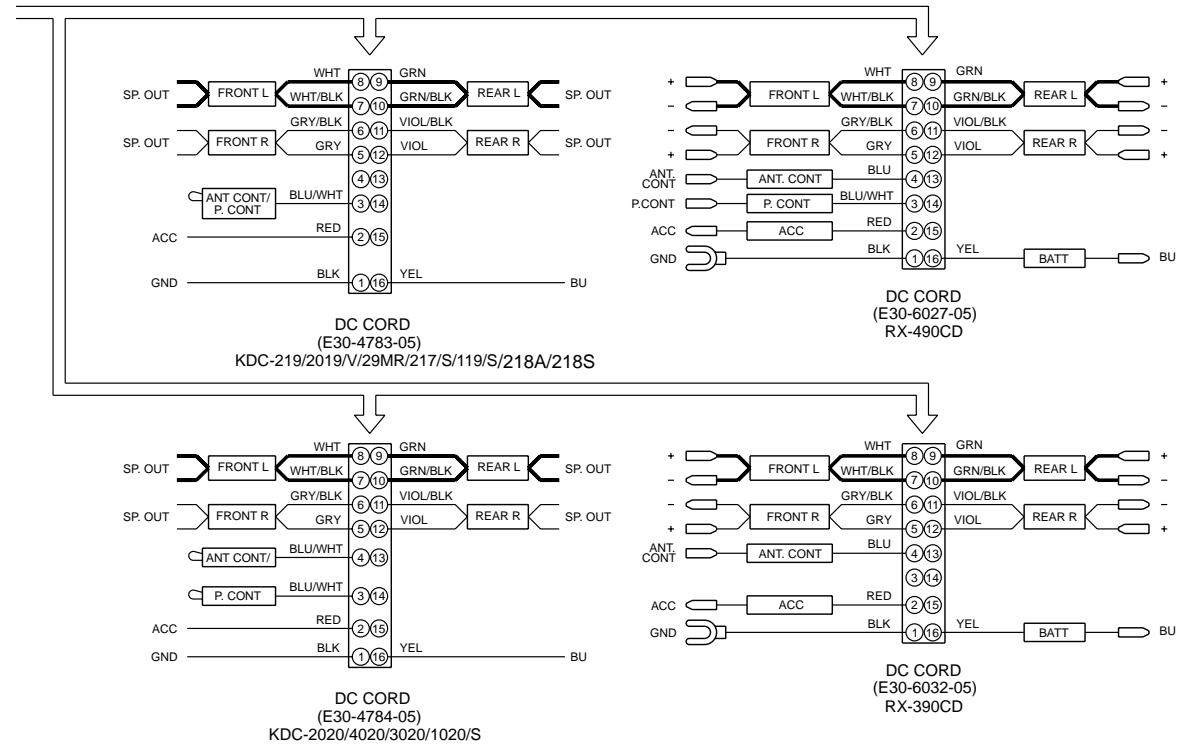


- |      |               |                           |              |
|------|---------------|---------------------------|--------------|
| IC1  | : *           | D1                        | : 1N5393G-M6 |
| IC2  | : TDA7407D    | D10,20,70,201,202,401,402 |              |
| IC4  | : *           | D11,13,264,267,268        |              |
| IC7  | : BA4911-V4   | D11F60                    |              |
| IC8  | : HD74HC27FP  | D12,14,261-263,265,266    |              |
| IC11 | : S-80835ANNP |                           |              |
| IC12 | : BR24C01AF   |                           |              |
- 
- |               |                       |                              |                          |
|---------------|-----------------------|------------------------------|--------------------------|
| Q10,20,70,101 | : 2SC4081 or 2SD1819A | D40,50,101,103,104,251-253   |                          |
| Q40           | : DTA124EUA or UN5112 |                              |                          |
| Q50           | : 2SA1036K            | D51                          | : 1SS133                 |
| Q51,53        | : UMC2N               | D102                         | : MA4082(N)-L or HZS9A1L |
| Q55           | : 2SD2375 or 2SD2396  | D106-109,403,404,407,409-411 |                          |
| Q102          | : DTA114YUA or UN5114 | D110                         | : HZS12A2                |
- 
- |          |                       |  |  |
|----------|-----------------------|--|--|
| Q221-224 | : DTC143TUA or UN5216 |  |  |
| Q251     | : DTC114YUA or UN5214 |  |  |

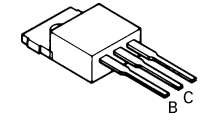
SIGNAL LINE  
+B LINE

1	REAR	13	REQ H	7	RST
2	FRONT	14	B.U	8	Ch
3		15	CH-CON	10	DATA C
4		16	MUTE	11	DATA H
5		17	A. GND	12	Lch
6		18		13	CLK

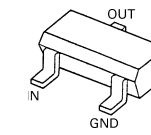
to CD MECHANISM



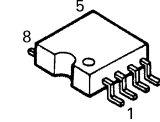
2SD2396



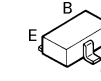
DTA114EUA  
DTA124EUA



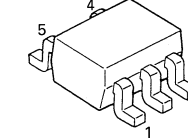
BR24C01AF  
BR24C01AF-W



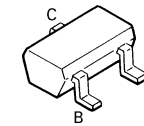
DTC114YUA  
DTC143TUA  
UN5111  
UN5114  
UN5214  
UN5216  
2SA1036K  
2SD1819A



UMC2N



2SC4081



DTA114YUA



(X25-912X-XX)

MODEL NAME	UNIT No.	(B)	(C)	(D)	(F)	C51	C256	C404	CN3	D11, 12	D13, 14	D106-110	D261-268	IC1 (UPD780058GCXXX)	IC4	J3	Q53	Q102	R25	R28
KDC-2020 (M)	0-20	YES	YES	NO	YES	YES	33u50	YES	NO	YES	YES	YES	YES	429	TDA7560	E58-0879	YES	YES	YES	YES
KDC-3020 (M)																				
KDC-219 (K)	0-11	YES	YES	NO	YES	NO	33u50	YES	NO	NO	YES	YES	YES	429	TDA7560	E58-0879	NO	YES	NO	YES
KDC-2019V (K)	0-16	YES	YES	YES	YES	NO	33u50	YES	NO	NO	YES	YES	YES	429	TDA7560	E58-0879	NO	YES	NO	YES
KDC-4020 (M)	0-21	YES	YES	YES	YES	YES	33u50	YES	NO	YES	YES	YES	YES	429	TDA7560	E58-0879	YES	YES	YES	YES
KDC-2019 (K)	0-12	YES	YES	YES	YES	NO	33u50	YES	NO	NO	YES	YES	YES	429	TDA7560	E58-0879	NO	YES	NO	YES
KDC-29MR (K)	0-13	YES	YES	NO	YES	NO	100u50	YES	YES	NO	YES	YES	NO	429	TDA7386	E58-0879	NO	YES	NO	YES
KDC-217 (K)																				
KDC-217S (K)	0-15	YES	NO	NO	YES	NO	100u50	NO	NO	NO	YES	YES	NO	429	TDA7386	E58-0879	NO	YES	NO	YES
KDC-218A																				
KDC-218S		YES	NO	NO	YES	NO	100u50	NO	NO	NO	YES	YES	NO	429	TDA7386	E58-0879	NO	YES	NO	YES
KDC-1020 (M)																				
KDC-1020S (M)	0-22	NO	NO	NO	YES	YES	33u50	NO	NO	YES	YES	NO	YES	430	TDA7560	E58-0880	YES	NO	YES	YES
RX-490CD (J)	0-01	NO	YES	NO	YES	YES	100u50	YES	NO	YES	YES	NO	NO	429	TDA7386	E58-0880	YES	NO	YES	YES
RY-390CD (J)	0-02	NO	NO	NO	YES	YES	100u50	NO	NO	YES	NO	NO	NO	430	TDA7386	E58-0880	YES	NO	YES	NO

UNIT No.	R135	R136	R137	R138	R139	R140, 142	R170, 171, 412-414	R173	R251-254, 260	R258	R261	R263	W83	W140, 141, 176-178	W143	W179	A1 (F/E)
0-20	NO	YES	YES	NO	YES	NO	YES	NO	NO	220	10	4.3K	NO	YES	NO	YES	X86-3510-11
0-11	NO	YES	NO	YES	YES	NO	YES	NO	NO	220	10	4.3K	NO	YES	NO	YES	X86-3510-11
0-16	NO	YES	NO	YES	YES	NO	YES	NO	NO	220	10	4.3K	NO	YES	NO	YES	X86-3510-11
0-21	NO	YES	YES	NO	YES	NO	YES	NO	NO	220	10	4.3K	NO	YES	NO	YES	X86-3510-11
0-12	NO	YES	NO	YES	YES	NO	YES	NO	NO	220	10	4.3K	NO	YES	NO	YES	X86-3510-11
0-13	NO	YES	NO	YES	YES	NO	YES	YES	YES	100	430	180K	NO	NO	NO	YES	X86-3510-11
0-15	YES	NO	NO	YES	YES	NO	NO	NO	YES	100	430	180K	NO	NO	NO	YES	X86-3510-11
0-14	NO	YES	NO	YES	YES	NO	NO	NO	YES	100	430	180K	YES	NO	NO	YES	X86-3510-11
0-22	NO	YES	YES	NO	YES	NO	NO	NO	NO	220	10	4.3K	YES	YES	NO	YES	X86-3510-11
0-01	NO	YES	YES	NO	YES	NO	YES	YES	YES	100	430	180K	YES	NO	YES	NO	X86-3510-01
0-02	NO	YES	YES	NO	NO	YES	NO	NO	YES	100	430	180K	YES	NO	YES	NO	X86-3510-01
KDC-218A	YES	NO	NO	YES	YES	NO	R170 & R171	NO	YES	100	430	180K	NO	NO	NO	YES	X86-3510-12
KDC-218S																	

**CAUTION :** For continued safety, replace safety critical components only with manufacturer's recommended parts (refer to parts list).

⚠ Indicates safety critical components. To reduce the risk of electric shock, leakage-current or resistance measurements shall be carried out (exposed parts are acceptably insulated from the supply circuit) before the appliance is returned to the customer.

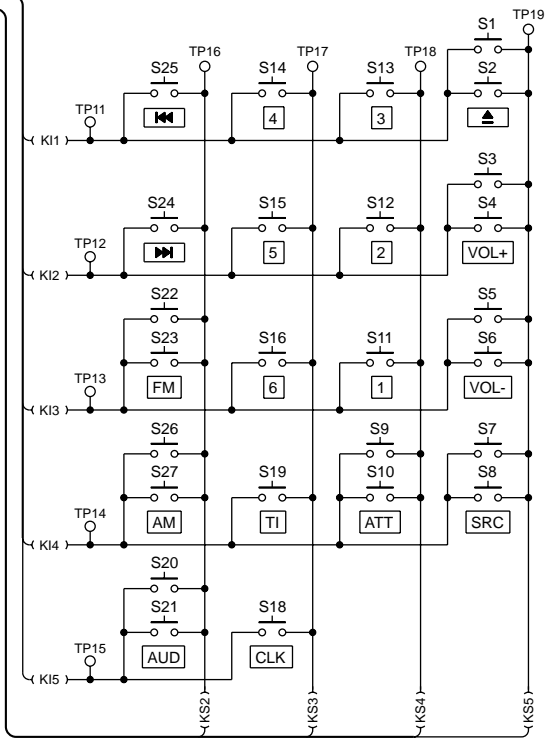
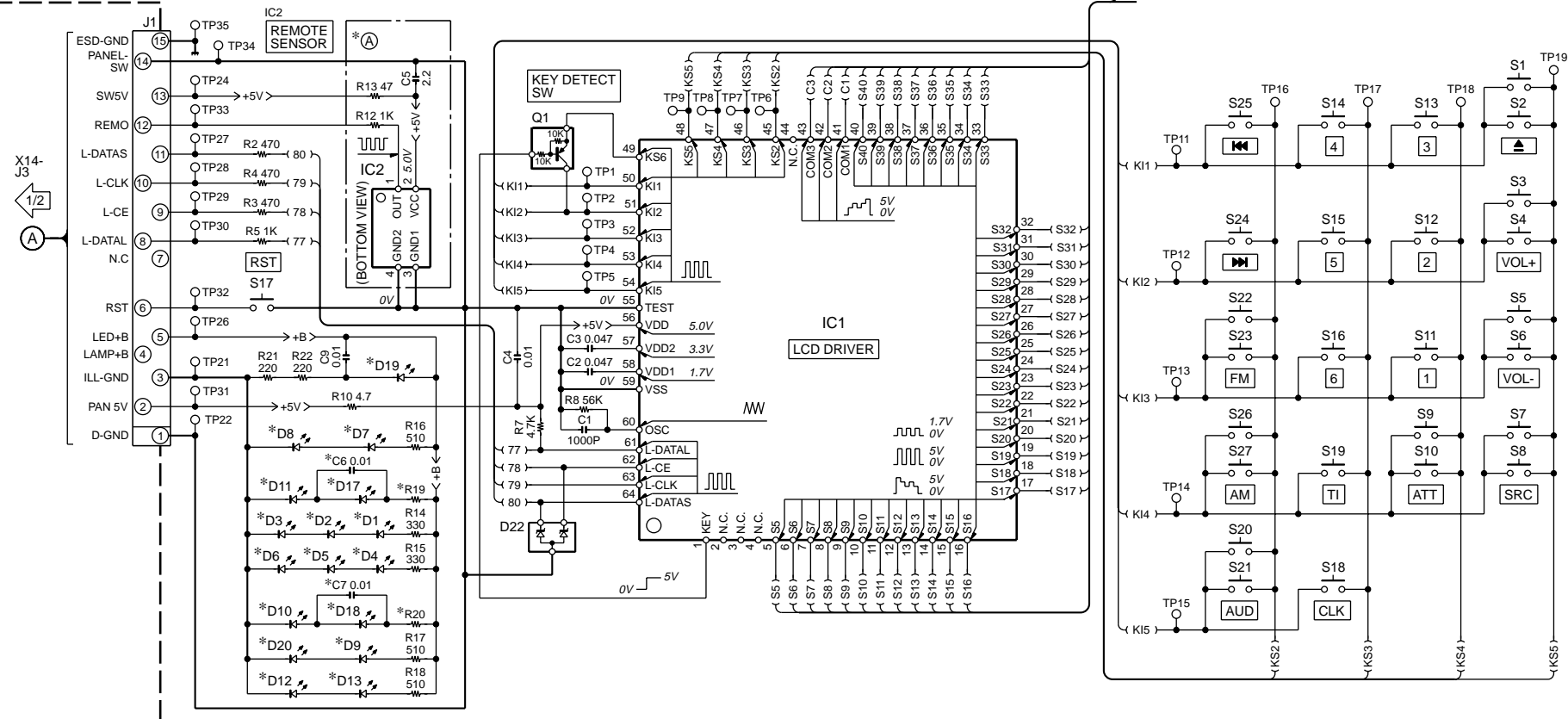
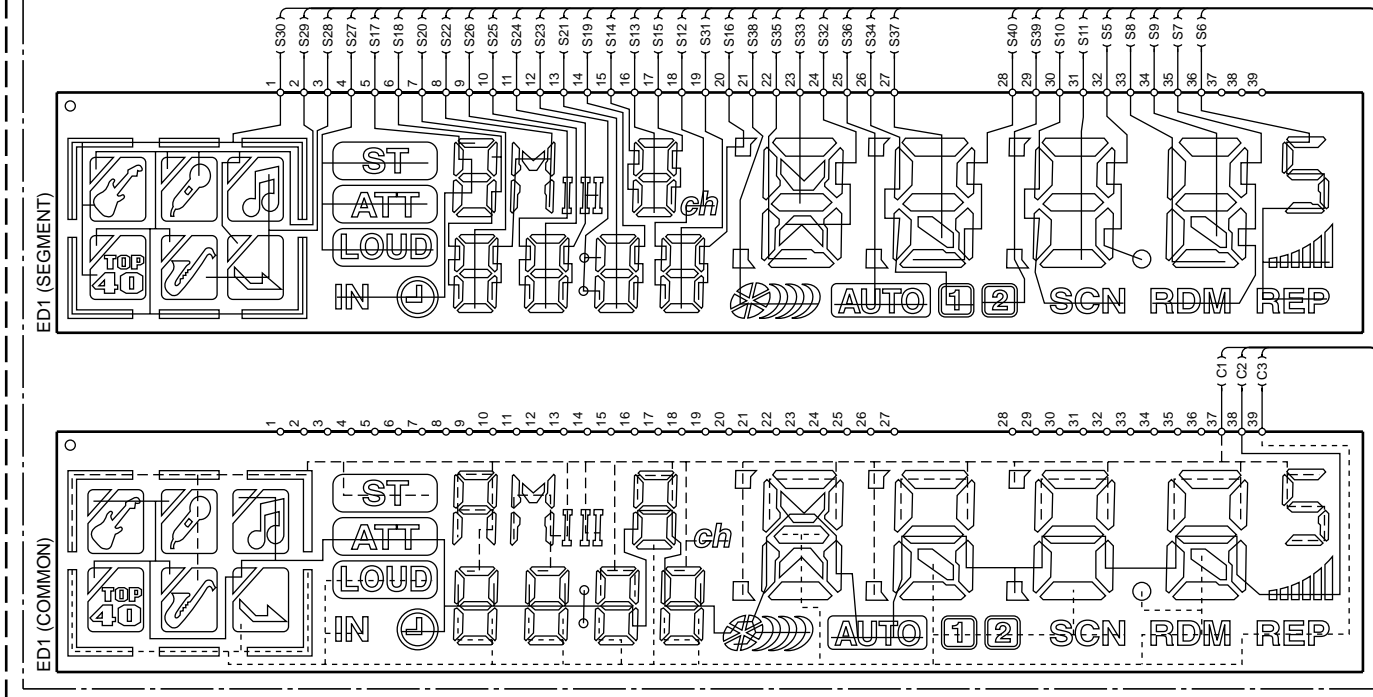
- DC voltages are as measured with a high impedance voltmeter. Values may vary slightly due to variations between individual instruments or/and units.

X13-J1



SWITCH UNIT (X16-1460-XX)

B38-1080-05 KDC-218A/218S



IC1 : LC75853NE D1-13,20 : \*  
 IC2 : RS-171 D17,18 : \*  
 D19 : \*  
 Q1 : DTA114EUA D22 : MA3062WA

————— GND LINE  
 <-+B<— +B LINE

(X16-1460-XX)

MODEL NAME	UNIT No.	(A)	C6, 7	D1-13,20	D17,18	D19	R19, 20
KDC-2020 (M)	0-20	YES	NO	B30-1533-05 (GREEN)	B30-1533-05 (GREEN)	B30-1633-05	510
KDC-3020 (M)	0-21	YES	NO	B30-1567-05 (RED)	B30-1567-05 (RED)	B30-1641-05	510
KDC-219 (K)	0-11	YES	YES	B30-1533-05 (GREEN)	B30-1642-05 (BLUE)	B30-1633-05	390
KDC-4020 (M)							
KDC-2019 (K)							
KDC-29MR (K)	0-12	YES	NO	B30-1533-05 (GREEN)	B30-1533-05 (GREEN)	B30-1633-05	510
KDC-119 (K)							
KDC-119S (K)	0-13	NO	NO	B30-1533-05 (GREEN)	B30-1533-05 (GREEN)	B30-1633-05	510
KDC-1020 (M)							
KDC-1020S (M)							
KDC-217 (K)	0-14	NO	NO	B30-1533-05 (GREEN)	B30-1533-05 (GREEN)	B30-1633-05	510
KDC-217S (K)							
KDC-2019V (K)	0-15	YES	YES	B30-1567-05 (RED)	B30-1642-05 (BLUE)	B30-1633-05	390
KDC-218S	0-12	YES	YES	B30-1567-05 (RED)	B30-1564-05 (WHITE)	B30-1633-05	390
KDC-218A	0-11	YES	NO	B30-1546-05	B30-1546-0	(WHITE)	510

**CAUTION** : For continued safety, replace safety critical components only with manufacturer's recommended parts (refer to parts list).

△ Indicates safety critical components. To reduce the risk of electric shock, leakage-current or resistance measurements shall be carried out (exposed parts are acceptably insulated from the supply circuit) before the appliance is returned to the customer.

- DC voltages are as measured with a high impedance voltmeter. Values may vary slightly due to variations between individual instruments or/and units.

KDC-218A/218S





## PARTS LIST

\* New parts

Parts without **Parts No.** are not supplied.Les articles non mentionnés dans le **Parts No.** ne sont pas fournis.Teile ohne **Parts No.** werden nicht geliefert.

Ref. No.	A d d	N e w	Parts No.	Description	Desti- nation	Ref. No.	A d d	N e w	Parts No.	Description	Desti- nation
<b>KDC-218A/218S</b>											
201	1A		A02-1486-13	PLASTIC CABINET ASSY		-					
203	1A		A22-2863-03	SUB PANEL ASSY		-					
205	2A	*	A46-1750-01	REAR COVER		-					
206	1B	*	A52-0804-02	TOP PLATE		-					
PA1	3A	*	A64-2770-01	PANEL ASSY	K6	-					
PA1	3A	*	A64-2771-01	PANEL ASSY	K7	-					
RM1	1A		A70-2024-05	REMOTE CONTROLLER ASSY (RC-400)	K6K7	-					
210	3B		B07-3054-02	ESCUTCHEON (GRAY)	K7	229	1A		J21-9641-13	MOUNTING HARDWARE ASSY	
210	3B		B07-3055-02	ESCUTCHEON (SILVER)	K6	232	3A	*	K24-3822-04	KNOB (RELEASE)	
211	3A	*	B10-4281-11	FRONT GLASS	K6	233	3A	*	K24-3823-04	KNOB (SRC)	
211	3A	*	B10-4282-11	FRONT GLASS	K7	234	3A	*	K24-3824-04	KNOB (AUD)	
						235	3A	*	K24-3825-03	KNOB (VOL)	
						236	3A	*	K24-3826-04	KNOB (EJECT)	
						237	3A	*	K25-1396-03	KNOB (PRE1-6,ATT,RESET)	
						238	3A	*	K25-1397-03	KNOB (AUTO,CLK,FM,AM)	
						240	1A		N99-1610-15	SCREW SET	
						A	3B		N30-3008-46	PAN HEAD MACHINE SCREW	
						B	3A		N80-2006-46	PAN HEAD TAPTITE SCREW	
						C	2A		N80-2008-45	PAN HEAD TAPTITE SCREW	
						D	1B		N83-3005-46	PAN HEAD TAPTITE SCREW	
						H	1A		N29-0205-04	RETAINING RING (1.5øϕ)	
						DME1	1B	*	X92-4030-00	MECHANISM ASSY	
						<b>SWITCH UNIT (X16-1940-1X)</b>					
						245	2A	*	B11-1358-04	OPTICAL DIFFUSER	K6
						245	2A	*	B11-1358-04	OPTICAL DIFFUSER	K7
						245	2A	*			
						246	2A	*	B11-1359-04	REFLECTION SHEET	
213	1A		D10-4446-03	LEVER		248	2A	*	B19-2130-03	LIGHTING BOARD	
214	2A		D10-4447-03	LEVER							
215	1A		D10-4589-04	LEVER							
216	1A		D21-2329-04	SHAFT							
218	2A	*	E29-1872-02	CONDUCTIVE RUBBER		D1-D13			B30-1546-05	LED	K6
△ DC1	1A		E30-4783-05	DC CORD		D1-13			B30-1567-05	LED (1608,RED)	K7
△ FC1	2A		E39-0343-05	FLAT CABLE		D17,18			B30-1546-05	LED (1608,PG)	K6
△ F1	2B		F52-0006-05	FUSE (MINI BLADE TYPE) 10A		D17,18			B30-1564-05	LED	K7
224	1A		G01-2987-04	TORSION COIL SPRING		D19			B30-1633-05	LED (WHITE)	K6
225	1A		G01-3096-04	EXTENSION SPRING		D19			B30-1633-05	LED (WHITE)	K7
226	3A	*	G01-3149-04	COMPRESSION SPRING							

K6 : KDC-218A

K7 : KDC-218S

△ Indicates safety critical components.

## PARTS LIST

\* New parts

Parts without **Parts No.** are not supplied.Les articles non mentionnés dans le **Parts No.** ne sont pas fournis.Teile ohne **Parts No.** werden nicht geliefert.

## SWITCH UNIT X16-1940-1X

Ref. No.	A d d	N e w	Parts No.	Description	Desti- nation	Ref. No.	A d d	N e w	Parts No.	Description	Desti- nation
D20			B30-1546-05	LED (1608,PG)	K6	C50			CE04NW1E100M	ELECTRO 10UF 25WV	K6
D20			B30-1567-05	LED (1608,RED)	K7	C50			CE04NW1E100M	ELECTRO 10UF 25WV	K7
ED1		*	B38-1080-05	LIQUID CRYSTAL	K6K7	C52-54			CE04NW1C100M	ELECTRO 10UF 16WV	
C1			CK73GB1H102K	CHIP C 1000PF K		C55			CE04NW1E100M	ELECTRO 10UF 25WV	
C2,3			CK73GB1E473K	CHIP C 0.047UF K		C56			CE04CW1H100M	ELECTRO 10UF 50WV	
C2,3			CK73GB1H473K	CHIP C 0.047UF K		C57			C90-2980-05	ELECTRO 220UF 16WV	
C4			CK73GB1H103K	CHIP C 0.010UF K		C58			C90-2962-05	ELECTRO 100UF 16WV	
						C63			CE04NW1C220M	ELECTRO 22UF 16WV	
						C101			CE04NW0J101M	ELECTRO 100UF 6.3WV	
						C102			CK73GB1H103K	CHIP C 0.010UF K	
						C103			CK73GB1C104K	CHIP C 0.10UF K	
						C103			CK73GB1H104K	CHIP C 0.10UF K	
						C104,105			CC73GCH1H150J	CHIP C 15PF J	
						C106			CK73GB1H472K	CHIP C 4700PF K	
C5			CK73FB1A225K	CHIP C 2.2UF K	K6K7	C142			CK73GB1C104K	CHIP C 0.10UF K	
C6,7			CK73GB1H103K	CHIP C 0.010UF K	K7	C142			CK73GB1H104K	CHIP C 0.10UF K	
C9			CK73GB1H103K	CHIP C 0.010UFK		C201			CE04NW1A470M	ELECTRO 47UF 10WV	
249	2A		E29-1829-04	CONDUCTIVE RUBBER		C202			CK73GB1H103K	CHIP C 0.010UF K	
250	2A		E29-1834-04	CONDUCTIVE RUBBER		C203-205			CE04NW1H2R2M	ELECTRO 2.2UF 50WV	
J1			E59-0828-05	RECTANGULAR PLUG		C206			CK73GB1H153K	CHIP C 0.015UF K	
-			J19-5130-04	HOLDER (LED)		C207			CK73GB1A474K	CHIP C 0.47UF K	
R2-4			RK73GB2A471J	CHIP R 470 J 1/10W		C208,209			CK73GB1C104K	CHIP C 0.10UF K	
R5			RK73GB2A102J	CHIP R 1.0K J 1/10W		C208,209			CK73GB1H104K	CHIP C 0.10UF K	
R7			RK73GB2A472J	CHIP R 4.7K J 1/10W		C210			CK73GB1E333K	CHIP C 0.033UF K	
R8			RK73GB2A563J	CHIP R 56K J 1/10W		C210			CK73GB1H333K	CHIP C 0.033UF K	
R10			RK73GB2A4R7J	CHIP R 4.7 J 1/10W		C211			CC73GCH1H151J	CHIP C 150PF J	
						C221-224					
R12			RK73GB2A102J	CHIP R 1.0K J 1/10W	K6	C223,224			C90-2597-05	ELECTRO 10UF 16WV	K6
R12			RK73GB2A102J	CHIP R 1.0K J 1/10W	K7	C223,224			C90-2597-05	ELECTRO 10UF 16WV	K7
R13		*	RK73FB2B470J	CHIP R 47 J 1/8W	K6	C225			CK73GB1H103K	CHIP C 0.010UF K	K6
R13		*	RK73FB2B470J	CHIP R 47 J 1/8W	K7	C225			CK73GB1H103K	CHIP C 0.010UF K	K7
		*				C251-254			C90-5296-05	NP-ELECT 0.22UF 50WV	
R14,15			RK73FB2B331J	CHIP R 330 J 1/8W		C255			CE04NW1H010M	ELECTRO 1.0UF 50WV	
R16-18			RK73FB2B511J	CHIP R 510 J 1/8W	K7						
R16-20			RK73FB2B511J	CHIP R 510 J 1/8W	K6	C256			CE04NW1A101M	ELECTRO 100UF 10WV	
		*				C257			CE04NW1H010M	ELECTRO 1.0UF 50WV	
R21,22		*	RK73FB2B221J	CHIP R 220 J 1/8W		C258			C90-2935-05	ELECTRO 1.0UF 50WV	
D22			MA3062WA	ZENER DIODE		C301			CE04NW1A101M	ELECTRO 100UF 10WV	
IC1			LC75853NE	MOS-IC		C302,303			CK73GB1H103K	CHIP C 0.010UF K	
IC2			RS-171	ANALOGUE IC	K6	C304			CE04CW1A101M	ELECTRO 100UF 10WV	
IC2			RS-171	ANALOGUE IC	K7	C305			CK73GB1H103K	CHIP C 0.010UF K	
						C306			C90-2594-05	ELECTRO 10UF 10WV	
Q1			DTA114EUA	DIGITAL TRANSISTOR		C307			CK73GB1H103K	CHIP C 0.010UF K	
Q1			UN5111	DIGITAL TRANSISTOR		C309			CK73GB1H103K	CHIP C 0.010UF K	
<b>ELECTRIC UNIT (X25-9490-1X)</b>											
D102			B30-1567-05	LED (1608,RED)							
C1			C90-5242-05	ELECTRO 3300UF 16WV							
C21			CK73GB1H103K	CHIP C 0.010UF K							
C40			CK73GB1H103K	CHIP C 0.010UF K							

K6 : KDC-218A

K7 : KDC-218S

△ Indicates safety critical components.

## PARTS LIST

\* New parts

Parts without **Parts No.** are not supplied.Les articles non mentionnés dans le **Parts No.** ne sont pas fournis.Teile ohne **Parts No.** werden nicht geliefert.

## ELECTRIC UNIT X25-9490-1X

Ref. No.	A d d	N e w	Parts No.	Description	Desti- nation	Ref. No.	A d d	N e w	Parts No.	Description	Desti- nation
CN1			E40-9550-05	FLAT CABLE CONNECTOR		R126			RK73GB2A104J	CHIP R 100K J 1/10W	
J1			E04-0312-05	RF COAXIAL CABLE RECEPTACLE		R127			RK73GB2A222J	CHIP R 2.2K J 1/10W	
J2			E58-0863-15	RECTANGULAR RECEPTACLE		R128			RK73GB2A225J	CHIP R 2.2M J 1/10W	
J3			E58-0879-05	RECTANGULAR RECEPTACLE		R129,130			RK73GB2A222J	CHIP R 2.2K J 1/10W	
J5			E63-0852-05	PIN JACK		R131			RK73GB2A682J	CHIP R 6.8K J 1/10W	
L1			L33-1170-05	CHOKE COIL ASSY		R132			RK73GB2A223J	CHIP R 22K J 1/10W	
L2			L33-1807-05	CHOKE COIL		R133			RK73GB2A164J	CHIP R 160K J 1/10W	
L4			L33-1123-05	LINE FILTER COIL		R135			RK73GB2A473J	CHIP R 47K J 1/10W	
L101			L40-4795-91	SMALL FIXED INDUCTOR (4.7UH,J)		R138,139			RK73GB2A473J	CHIP R 47K J 1/10W	
L201			L40-4795-91	SMALL FIXED INDUCTOR (4.7UH,J)		R143			RK73GB2A472J	CHIP R 4.7K J 1/10W	
L303-306			L40-4795-91	SMALL FIXED INDUCTOR (4.7UH,J)		R144			RK73GB2A104J	CHIP R 100K J 1/10W	
X1			L77-1167-05	CRYSTAL RESONATOR (4.19M)		R201			RK73GB2A272J	CHIP R 2.7K J 1/10W	
D	2B		N83-3005-46	PAN HEAD TAPTITE SCREW		R202,203			RK73GB2A472J	CHIP R 4.7K J 1/10W	
E	2B		N80-3010-46	PAN HEAD TAPTITE SCREW		R223,224			RK73FB2B271J	CHIP R 270 J 1/8W	
F	2B		N83-3020-46	PAN HEAD TAPTITE SCREW		R251			RK73GB2A472J	CHIP R 4.7K J 1/10W	
G	2B		N86-2606-46	BINDING HEAD TAPTITE SCREW		R254			RK73GB2A472J	CHIP R 4.7K J 1/10W	
CP1			R90-1056-05	MULTIPLE RESISTOR		R255			RK73GB2A333J	CHIP R 33K J 1/10W	
CP2			R90-1047-05	MULTIPLE RESISTOR		R256			RK73FB2B102J	CHIP R 1.0K J 1/8W	
CP3			R90-1046-05	MULTIPLE RESISTOR		R257			RK73GB2A362J	CHIP R 3.6K J 1/10W	
R10			RK73FB2B303J	CHIP R 30K J 1/8W		R258			RK73GB2A101J	CHIP R 100 J 1/10W	
R11			RK73GB2A103J	CHIP R 10K J 1/10W		R260			RK73GB2A751J	CHIP R 750 J 1/10W	
R12			RK73GB2A104J	CHIP R 100K J 1/10W		R261			RK73GB2A431J	CHIP R 430 J 1/10W	
R20			RD14DB2H332J	SMALL-RD 3.3K J 1/2W		R263			RK73GB2A184J	CHIP R 180K J 1/10W	
R22			RK73GB2A103J	CHIP R 10K J 1/10W		R264			RK73GB2A473J	CHIP R 47K J 1/10W	
R23			RK73GB2A104J	CHIP R 100K J 1/10W		R415			RK73GB2A104J	CHIP R 100K J 1/10W	
R51			RK73GB2A473J	CHIP R 47K J 1/10W		W151			R92-2053-05	CHIP R 0 J 1/8W	
R57		*	RK73FB2B152J	CHIP R 1.5K J 1/8W		W152			R92-1252-05	CHIP R 0 OHM J 1/16W	
R58			RK73GB2A472J	CHIP R 4.7K J 1/10W		W155			R92-1252-05	CHIP R 0 OHM J 1/16W	
R67			RK73GB2A103J	CHIP R 10K J 1/10W		W156,157			R92-2053-05	CHIP R 0 J 1/8W	
R71			RK73GB2A823J	CHIP R 82K J 1/10W		W158,159			R92-1252-05	CHIP R 0 OHM J 1/16W	
R72		*	RK73GB2A363J	CHIP R 36K J 1/10W		W160-165			R92-2053-05	CHIP R 0 J 1/8W	
R73			RK73GB2A104J	CHIP R 100K J 1/10W		W167-169			R92-1252-05	CHIP R 0 OHM J 1/16W	
R103,104			RK73GB2A222J	CHIP R 2.2K J 1/10W		W171-174			R92-1252-05	CHIP R 0 OHM J 1/16W	
R105			RK73GB2A471J	CHIP R 470 J 1/10W		W179			R92-2052-05		
R106			RK73GB2A104J	CHIP R 100K J 1/10W		D1			S2V20*A	DIODE	
R107,108			RK73GB2A222J	CHIP R 2.2K J 1/10W							
R110			RK73GB2A472J	CHIP R 4.7K J 1/10W							
R113,114			RK73GB2A473J	CHIP R 47K J 1/10W							
R115			RK73GB2A102J	CHIP R 1.0K J 1/10W							
R116			RK73GB2A103J	CHIP R 10K J 1/10W							
R117			RK73GB2A102J	CHIP R 1.0K J 1/10W							
R118			RK73GB2A103J	CHIP R 10K J 1/10W							
R119			RK73GB2A473J	CHIP R 47K J 1/10W							
R121			RK73GB2A222J	CHIP R 2.2K J 1/10W							
R122			RK73GB2A101J	CHIP R 100 J 1/10W							
R123			RK73GB2A102J	CHIP R 1.0K J 1/10W							
R125			RK73GB2A102J	CHIP R 1.0K J 1/10W							

K6 : KDC-218A

K7 : KDC-218S

△ Indicates safety critical components.

## PARTS LIST

\* New parts

Parts without **Parts No.** are not supplied.Les articles non mentionnes dans le **Parts No.** ne sont pas fournis.Teile ohne **Parts No.** werden nicht geliefert.

## ELECTRIC UNIT X25-9490-1X

Ref. No.	A d d	N e w	Parts No.	Description	Desti- nation	Ref. No.	A d d	N e w	Parts No.	Description	Desti- nation
D1 D10			1N5393G-M6 MA4068(N)-M	DIODE ZENER DIODE							
D13 D14 D14 D14			D1F60 AM01Z DSM1SD2 ERA15-02	DIODE DIODE DIODE DIODE							
D20 D40 D50 D51 D51			MA4068(N)-M 1SS133 1SS133 HZS9A1L MA4082(N)-L	ZENER DIODE DIODE DIODE ZENER DIODE ZENER DIODE		IC1		*	UPD780058GC429	MI-COM IC	
D70 D101 D103,104 D106-108 D106-108			MA4068(N)-M 1SS133 1SS133 HZS6C1 MA4062-L	ZENER DIODE DIODE DIODE ZENER DIODE ZENER DIODE		IC2 IC4		*	TDA7407D TDA7386	ANALOGUE IC ANALOGUE IC	
D110 D201,202 D251-253		*	HZS12A2 MA4068(N)-M 1SS133	ZENER DIODE ZENER DIODE DIODE		IC7 IC8 IC11			BA4911-V4 HD74HC27FP S-80835ANNP	ANALOGUE IC MOS-IC MOS-IC	
						IC12 IC12 IC12 IC12 Q10 Q20 Q20 Q40 Q40			BR24C01AF BR24C01AF-W M24C01-WMN6T S-24C01B 2SC4081	MEMORY IC MEMORY IC MEMORY IC MEMORY IC TRANSISTOR	
						Q10 Q20 Q20 Q40 Q40			2SD1819A 2SC4081 2SD1819A DTA124EUA UN5112	TRANSISTOR TRANSISTOR TRANSISTOR DIGITAL TRANSISTOR DIGITAL TRANSISTOR	
						Q50 Q51			2SA1036K UMC2N	TRANSISTOR TRANSISTOR	
						Q55 Q55			2SD2375 2SD2396	TRANSISTOR TRANSISTOR	
						Q70 Q70 Q101 Q101 Q102			2SC4081 2SD1819A 2SC4081 2SD1819A DTA114YUA	TRANSISTOR TRANSISTOR TRANSISTOR TRANSISTOR DIGITAL TRANSISTOR	
						Q102			UN5114	DIGITAL TRANSISTOR	
						Q223,224			DTC143TUA	DIGITAL TRANSISTOR	
						Q223,224			UN5216	DIGITAL TRANSISTOR	
						Q251 Q251 TH1			DTC114YUA UN5214 PTH9C42BE471Q	DIGITAL TRANSISTOR DIGITAL TRANSISTOR POSITIVE RESISTOR	
						A1		*	X85-3510-12	FRONT-END UNIT	

K6 : KDC-218A

K7 : KDC-218S

△ Indicates safety critical components.

# SPECIFICATIONS

## KDC-218A/218S

### FM

Frequency Range .....	87.9MHz~107.9MHz
Frequency step .....	200kHz
(Channel Space Slection)	(50k/200kHz)
Usable Sensitivity (S/N : 30dB) .....	9.3dBf (0.8 $\mu$ V/75 $\Omega$ )
Quieting Sensitivity (S/N 50dB) .....	15.2dBf (1.6 $\mu$ V/75 $\Omega$ )
Frequency Response ( $\pm$ 3.0dB) .....	30Hz~15kHz
S/N .....	70dB (MONO)
Selectivity .....	$\geq$ 80dB ( $\pm$ 400kHz)
Stereo Separation .....	40dB (1kHz)

### AM

Frequency Range .....	530kHz~1700kHz
Frequency step .....	10kHz
Usable Sensitivity (S/N : 20dB) .....	28dB $\mu$ (25 $\mu$ v)

### CD

Laser Diode .....	GaAIAs ( $\lambda$ =780nm)
Digital Filter (D/A) .....	8 times Over Sampling
D/A Converter .....	1 Bit
Spindle Speed .....	500~200 (CLV)
Wow & Flutter .....	Below Mesurable Limit
Frequency Respons .....	10~20kHz ( $\pm$ 1dB)
THD .....	0.01% (1kHz)
S/N Ratio (dB) .....	96dB (1kHz)
Dynamic Range .....	93dB
Channel Separation .....	85dB

Preout Level (mV)/Load  
..... 1800mV/10k $\Omega$

Preout Impedance ( $\Omega$ ) .....

$\leq$ 600 $\Omega$

### AMP

Maximum Power .....

45WX4

Full Bandwidth Power (at Less than 1%THD) .....

22wx4

### TONE

Bass .....	100Hz $\pm$ 10dB
Middle .....	1kHz $\pm$ 10dB
Treble .....	10kHz $\pm$ 10dB

### GENERAL

Operating voltage (11~16v allowable) .....	14.4V
Current Consumption .....	10A
Installation Size (Width) .....	182mm (7-3/16 inch)
(Height) .....	53mm (2-1/16 inch)
(Depth) .....	157mm (6-3/16 inch)
Weight .....	3.1 lbs (1.4kg)

---

KENWOOD follows a policy of continuous advancements in development. For this reason specifications may be changed without notice.

---